

FIG:1

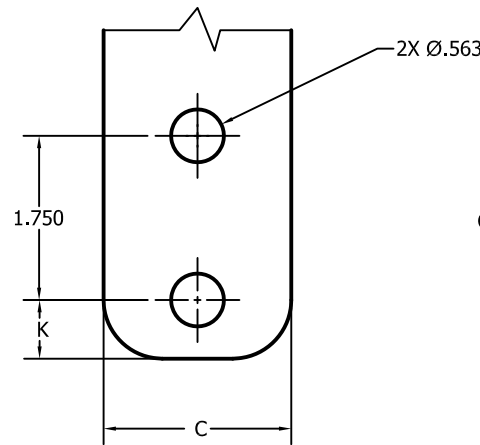
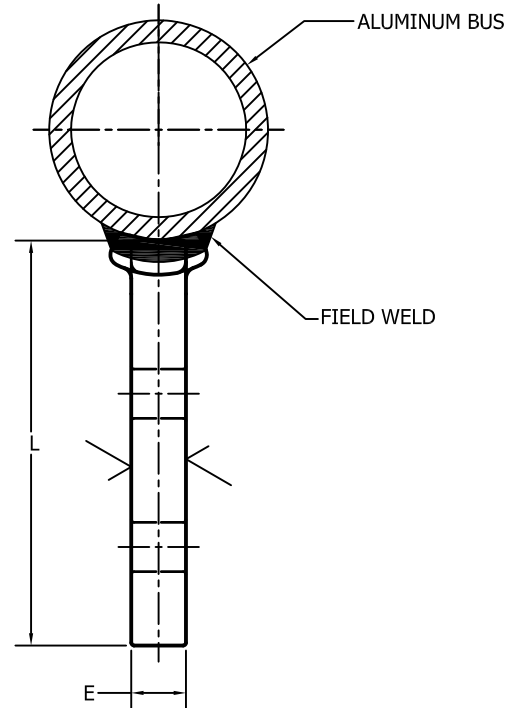


FIG:2

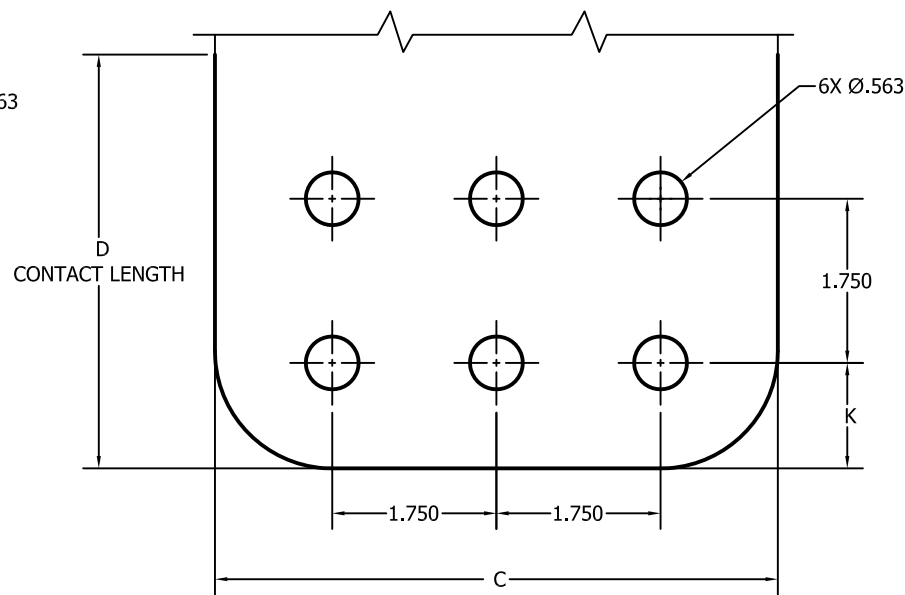


FIG:3

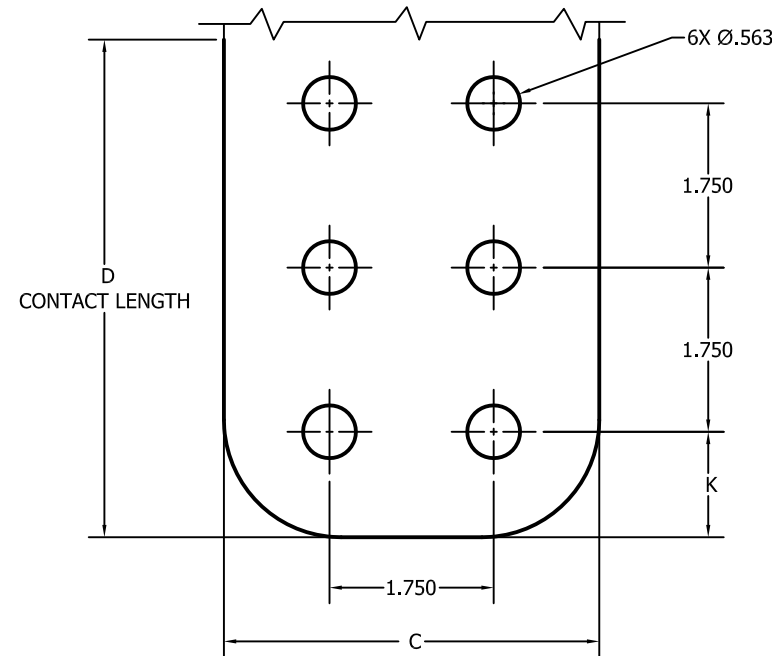


FIG:4

CATALOG NUMBER	CONDUCTOR (IPS) SIZE	FIG. NO.	DIMENSION IN INCHES					
			A	C	D	E	K	L
WTTFR-06-B2	3/4"	2	3.000	2.000	3.250	.375	.625	3.625
WTTFR-10-24-B2	1" THRU 2 1/2"	2	2.750	2.000	3.250	.625	.625	3.875
WTTFR-10-24-C	1" THRU 2 1/2"	1	3.875	3.000	3.250	.625	.625	3.875
WTTFR-10-24-DL	1" THRU 2 1/2"	4	5.250	4.000	6.500	.500	1.125	7.250
WTTFR-30-60-B2	3" THRU 6"	2	3.000	2.000	3.250	.750	.625	3.938
WTTFR-30-60-C	3" THRU 6"	1	4.250	3.000	3.250	.750	.625	3.938
WTTFR-30-60-N	3" THRU 6"	3	6.500	6.000	4.125	.625	1.125	4.938
WTTFR-30-60-D-800	3" THRU 6"	1	5.250	4.000	4.250	.750	1.125	4.938
WTTFR-60-80-D	6" THRU 8" / 8" O.D.	1	4.500	4.000	4.250	1.000	1.125	5.000

QR-2629  
800kV

NOTES:

1. MATERIAL: 356-T6 ALUMINUM ALLOY.
2. FOR BLANK TONGUE ADD "UD" TO CAT.NO. EX: WTTFR-10-24-B2-UD
3. CAN BE USED FOR "EHV" WITH THE ADDITION OF HARDWARE SHIELDS ON CAT.NO.

70093	06/13/2017	AS	HG	HPS	<b>HUBBELL® POWER SYSTEMS</b>
EC #	DATE	CHG BY	RESP ENG		
DESC OF DWG: DRAWING IN AUTOCAD				<small>CONFIDENTIAL: THIS DRAWING AND ITS CONTACTS ARE CONFIDENTIAL AND THE EXCLUSIVE PROPERTY OF HUBBELL POWER SYSTEMS. NO PUBLICATION, DISTRIBUTION OR COPIES MAY BE MADE WITHOUT THE WRITTEN CONSENT OF HUBBELL POWER SYSTEMS. HUBBELL POWER SYSTEMS UNPUBLISHED ALL RIGHTS RESERVED UNDER THE COPYRIGHT LAWS</small>	
REASON (S) FOR CHANGE: DISPOSITION OF MAT'L:				<b>TITLE</b> <b>RANGE TAKING WELDED TEE CONNECTOR TUBE TO FLAT</b>	
SIZE <b>C</b>		DWG NO. <b>C-11289</b>		CAT / PART / ASSY NO. <b>WTTFR- (SEE TABLE)</b>	
DO NOT SCALE THIS DRAWING		DRN BY CP	DATE 2-23-77	REV <b>10</b> SHEET 1 OF 1	